

Revisions

| No. | Date | By | Description |
|-----|------|----|-------------|
| | | | |
| | | | |
| | | | |
| | | | |
| | | | |
| | | | |
| | | | |
| | | | |
| | | | |
| | | | |

Date JULY 26, 2007

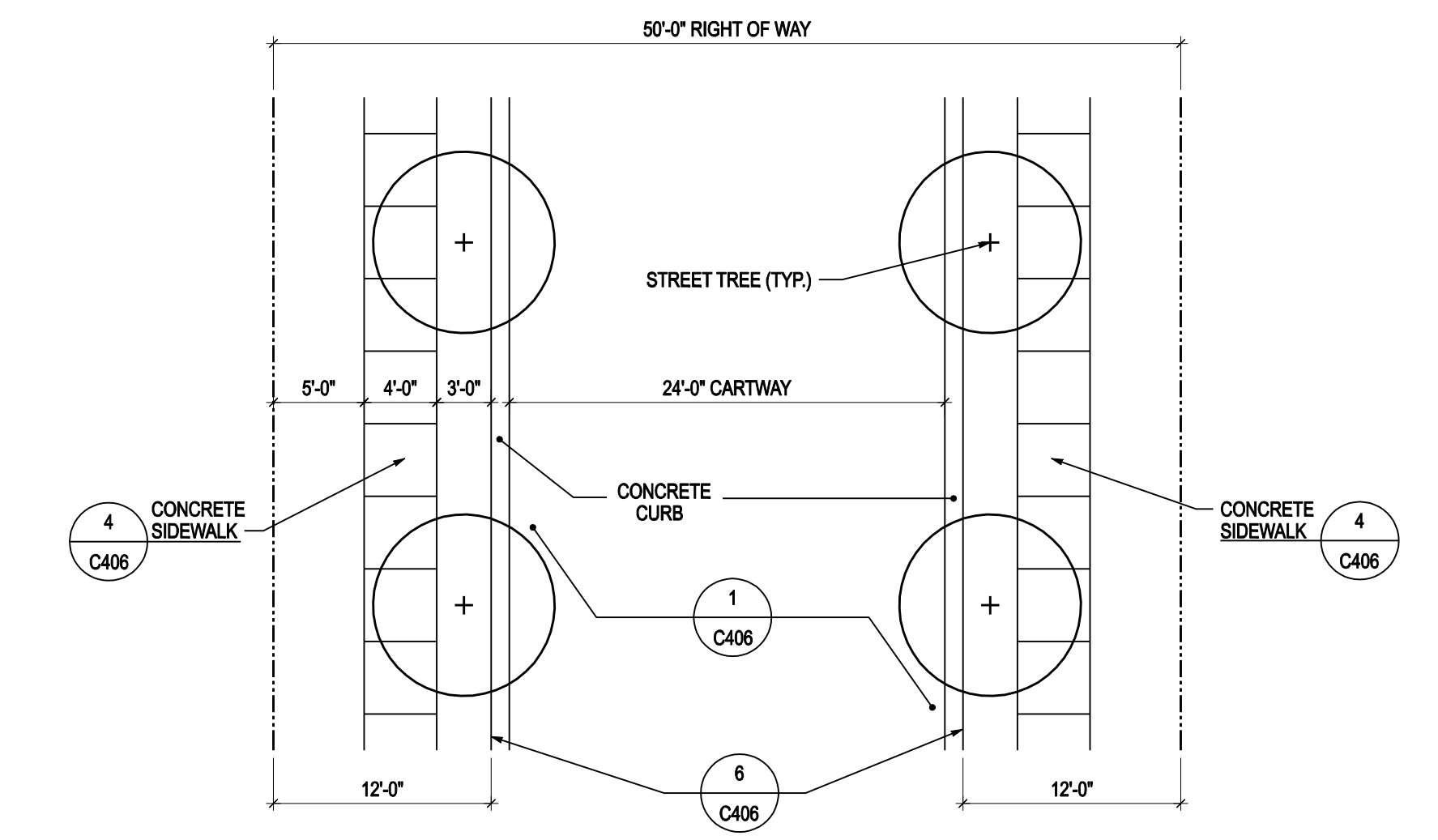
Drawing Name

Typical Layout
Details

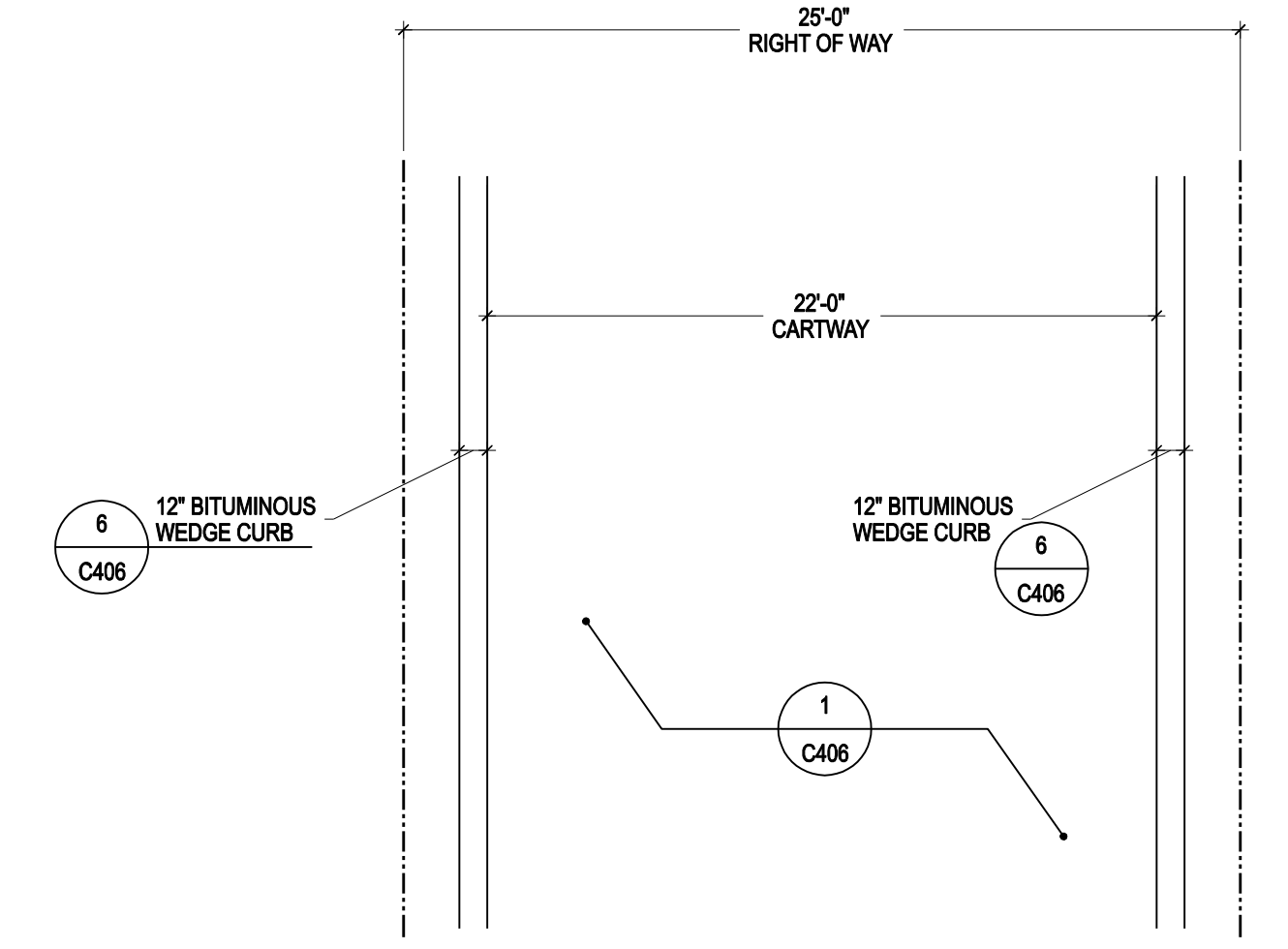
Project Number 05079.02

Drawing Number

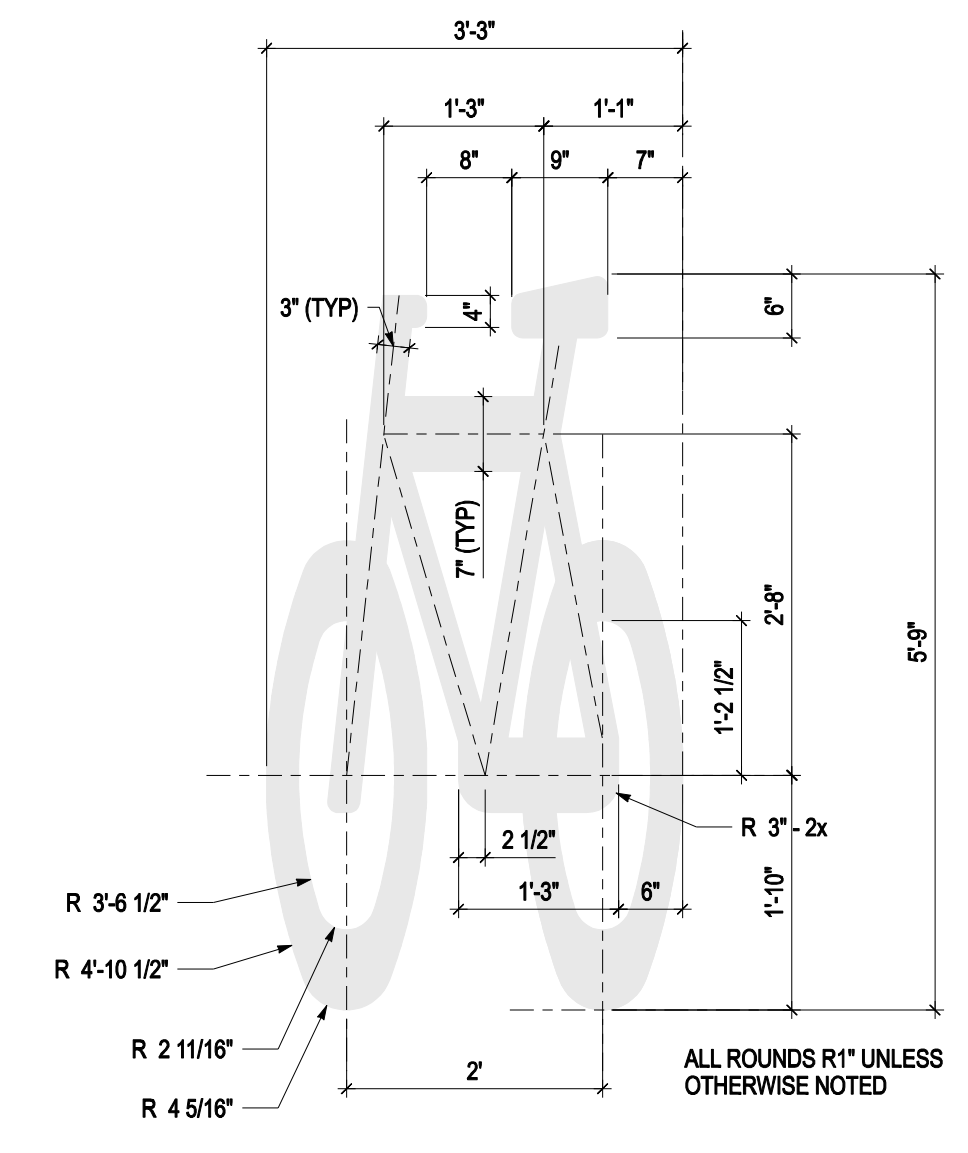
C407



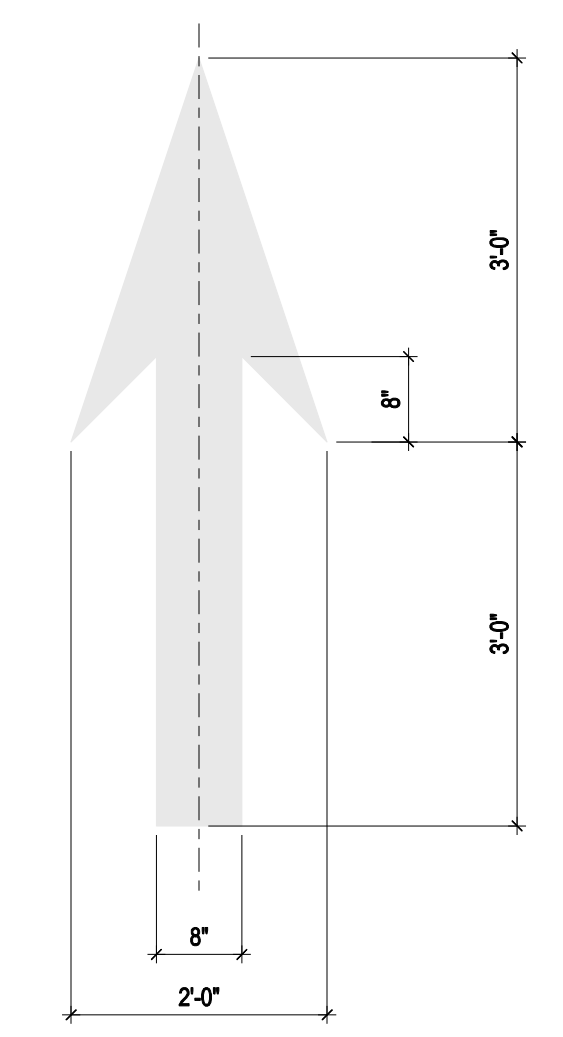
8 LOCAL ROAD (TYP.)
NTS



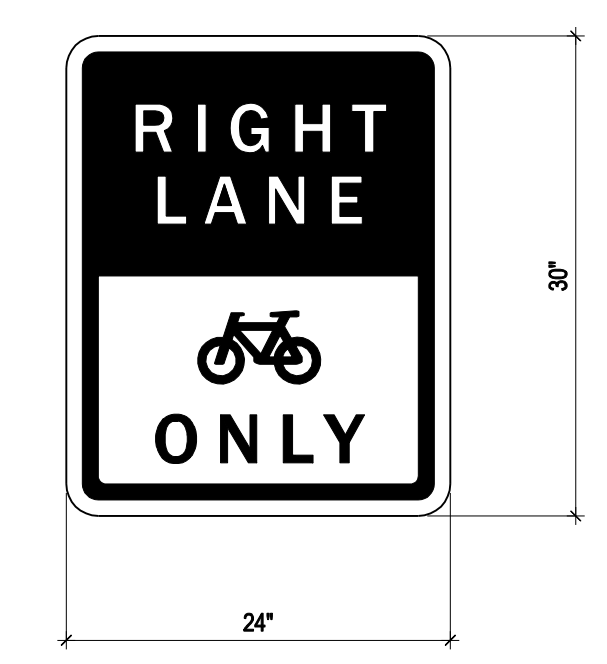
4 PRIVATE ALLEY PLAN - (TYPICAL) (CONTINGENT UPON APPROVAL OF WAIVER REQUEST)
NTS



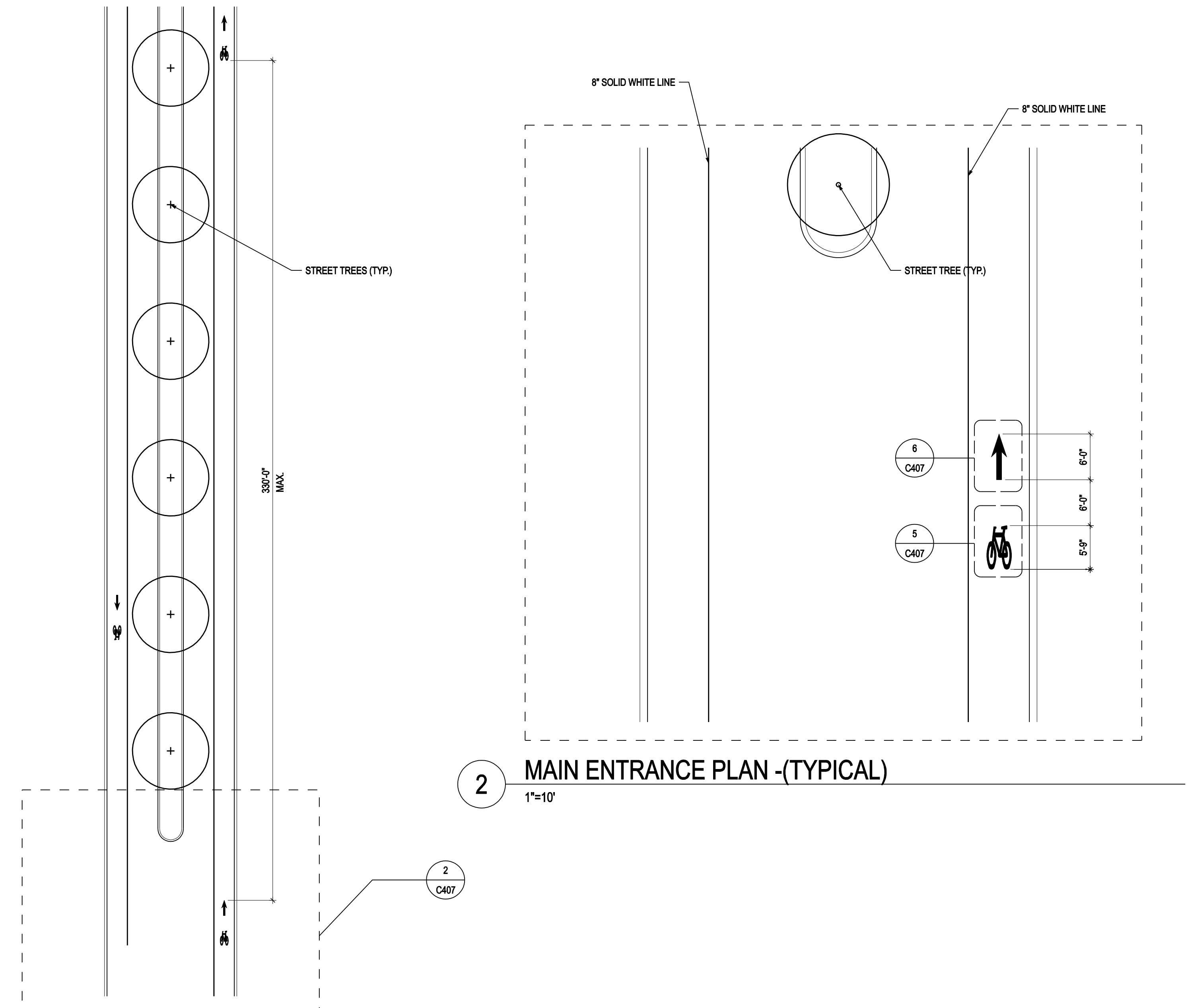
5 BIKE LANE SYMBOL DETAIL
NTS



6 BIKE LANE ARROW DETAIL
NTS

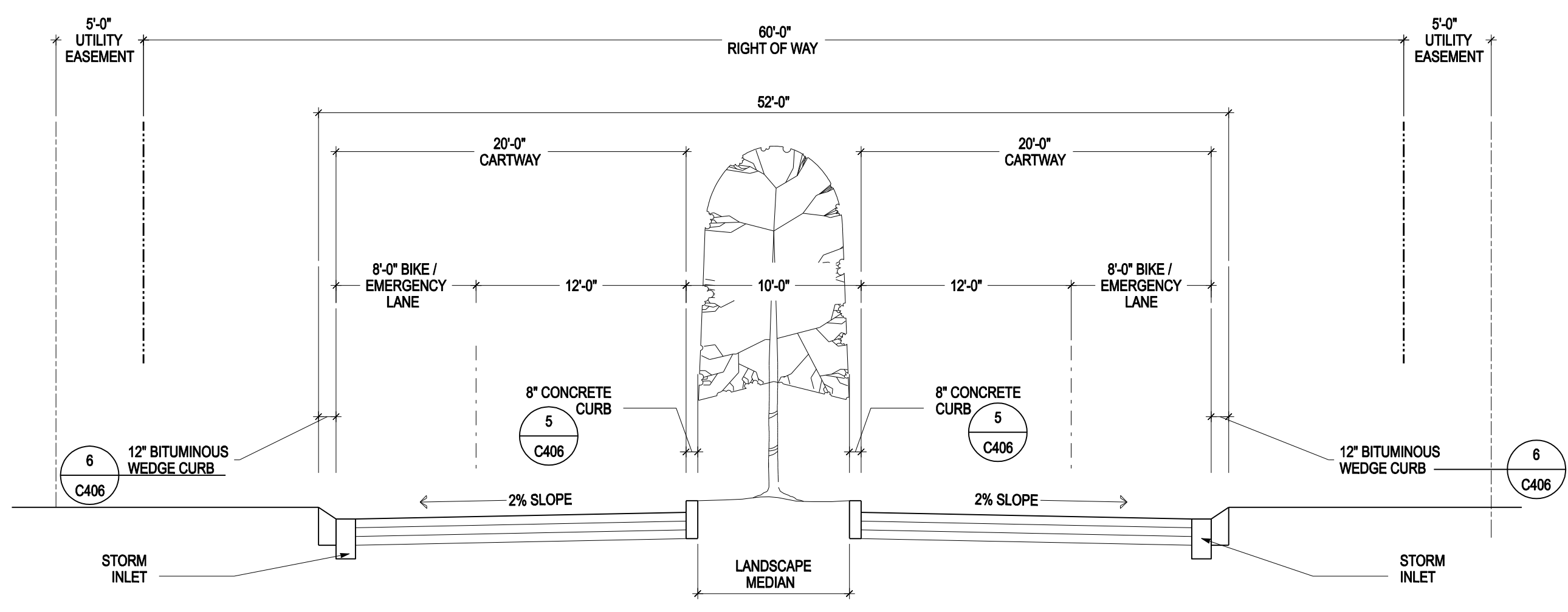


7 RIGHT LANE BIKE ONLY
NTS



2 MAIN ENTRANCE PLAN - (TYPICAL)
1"=10'

1 BIKE LANE SYMBOL AND ARROW SPACING
1"=30'



3 MAIN ENTRANCE CROSS SECTION - (TYPICAL)
NTS