

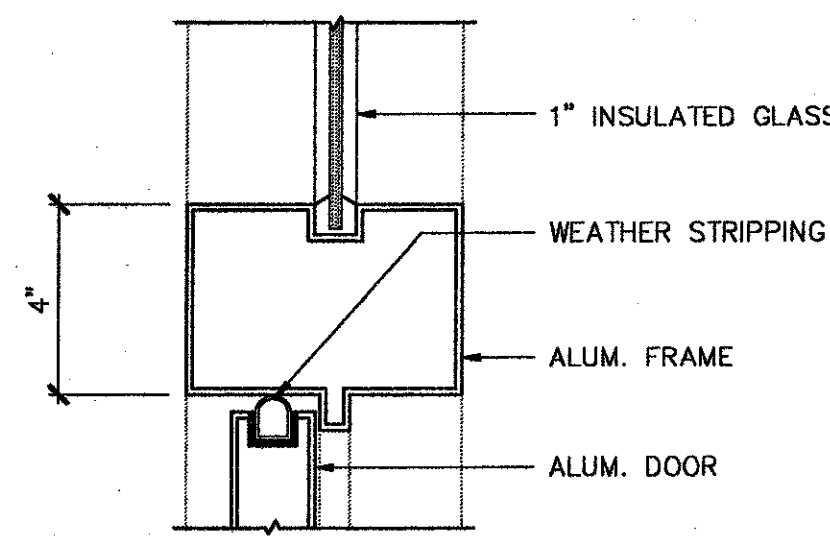
4" X 4" X 5/16" GALV. STL. TUBE; FILL SOLID W/ GROUT

DOOR TYPES
1/4" = 1'-0"

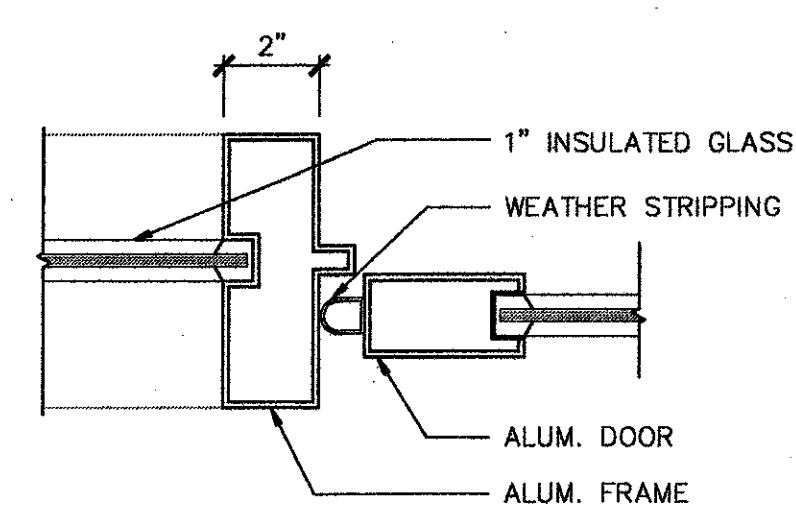
SEE SCHEDULES FOR ALL OTHER INFORMATION.

FRAME TYPES
1/4" = 1'-0"

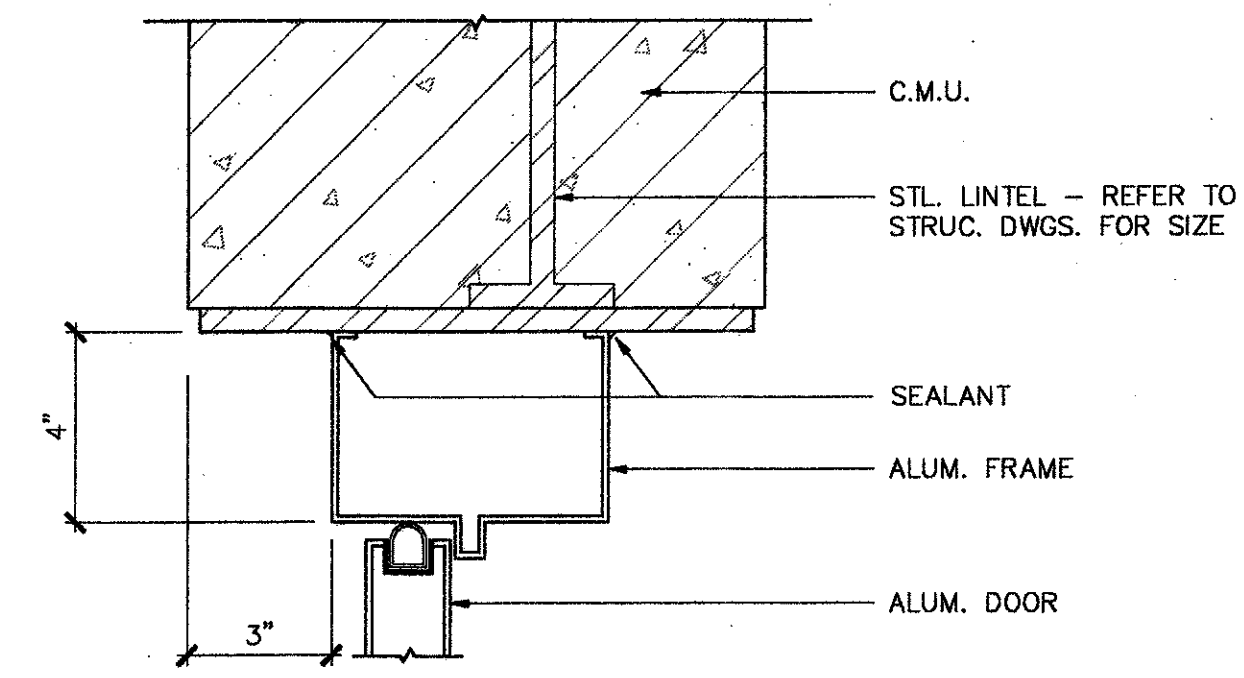
SEE SCHEDULES FOR ALL OTHER INFORMATION.



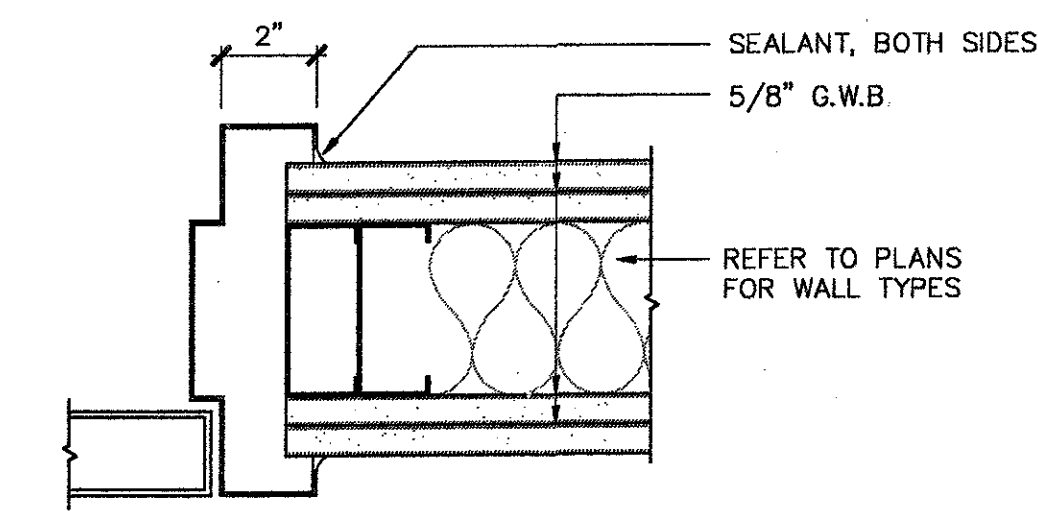
H-1



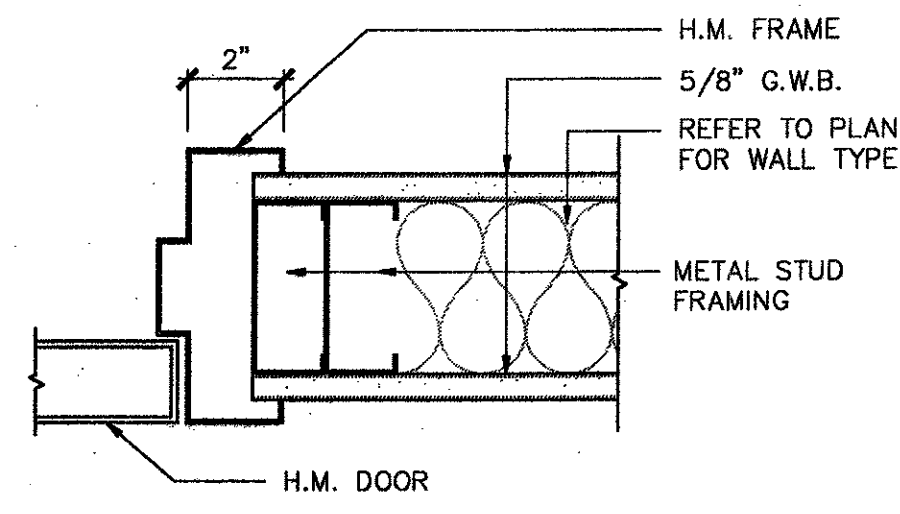
J-1



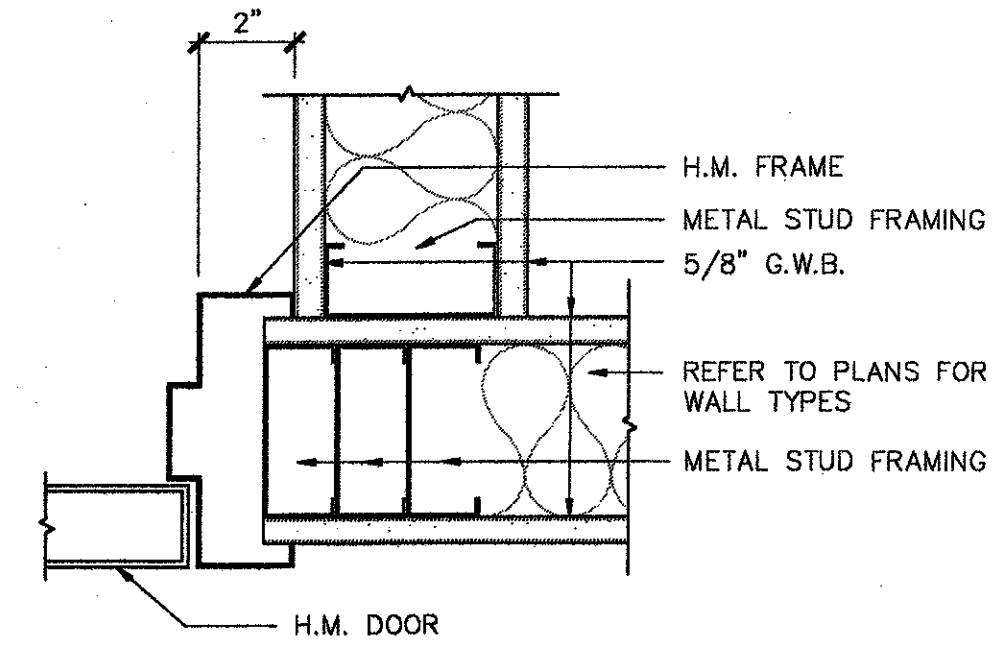
H-4



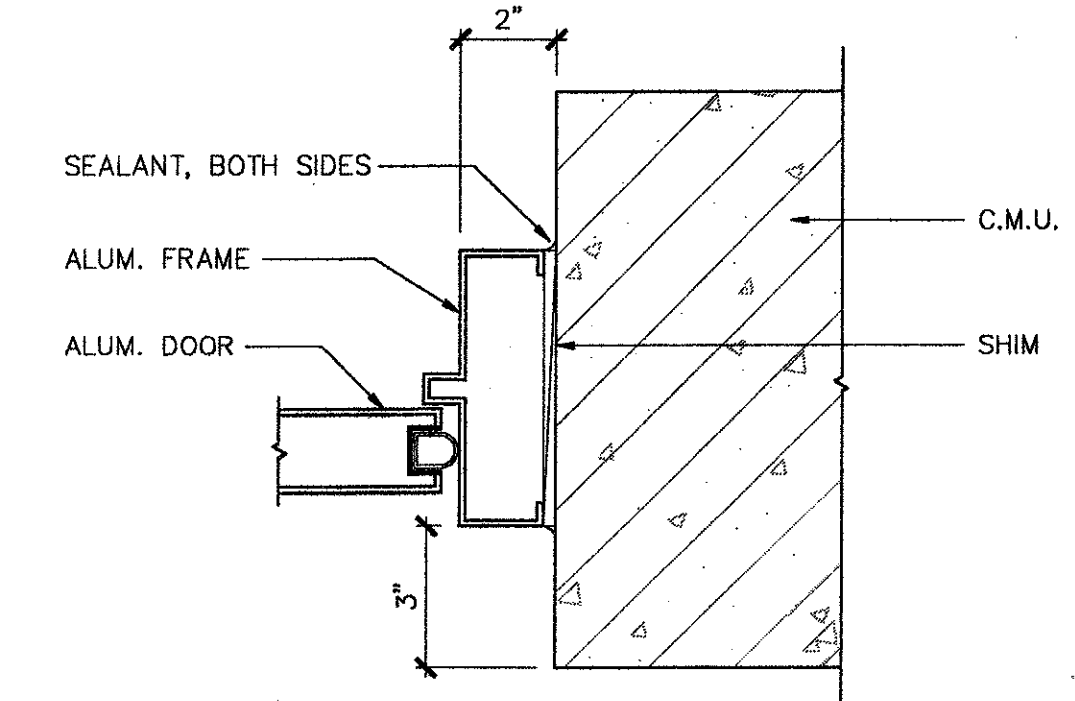
H-6 & J-7



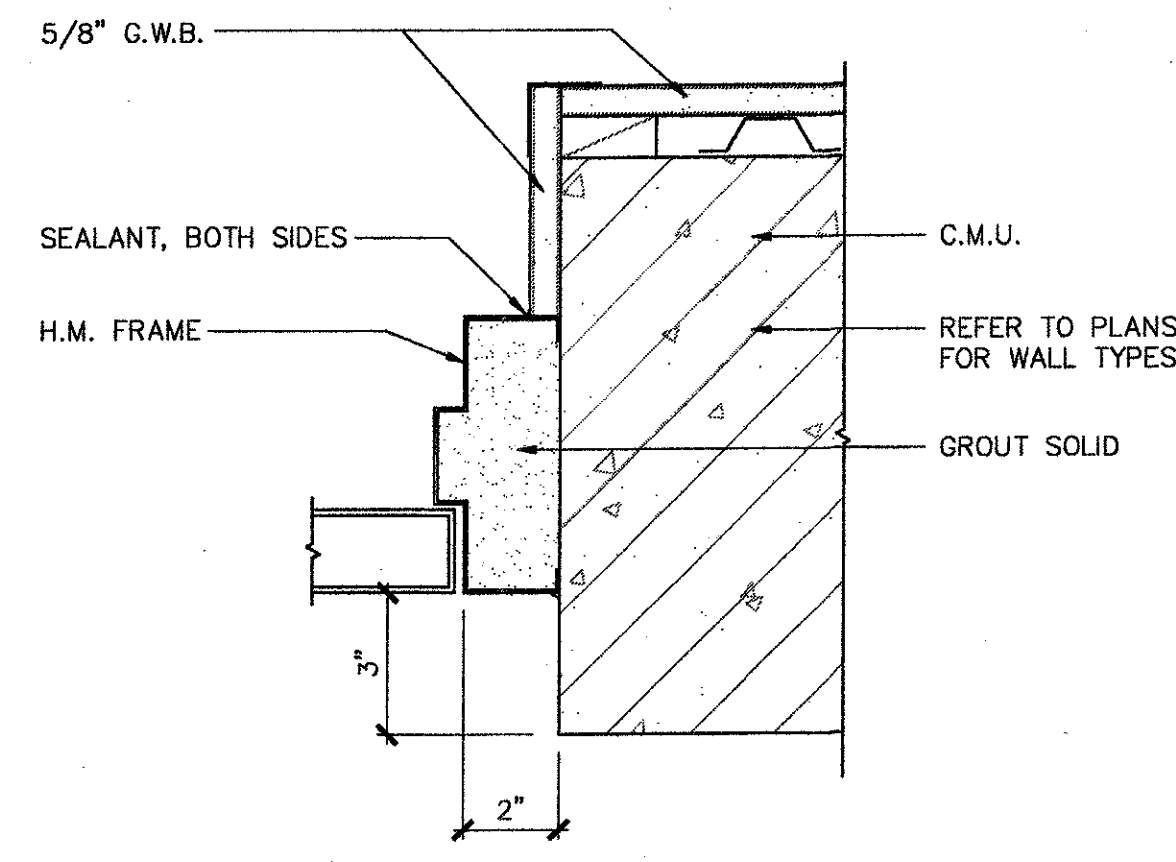
H-2 & J-2



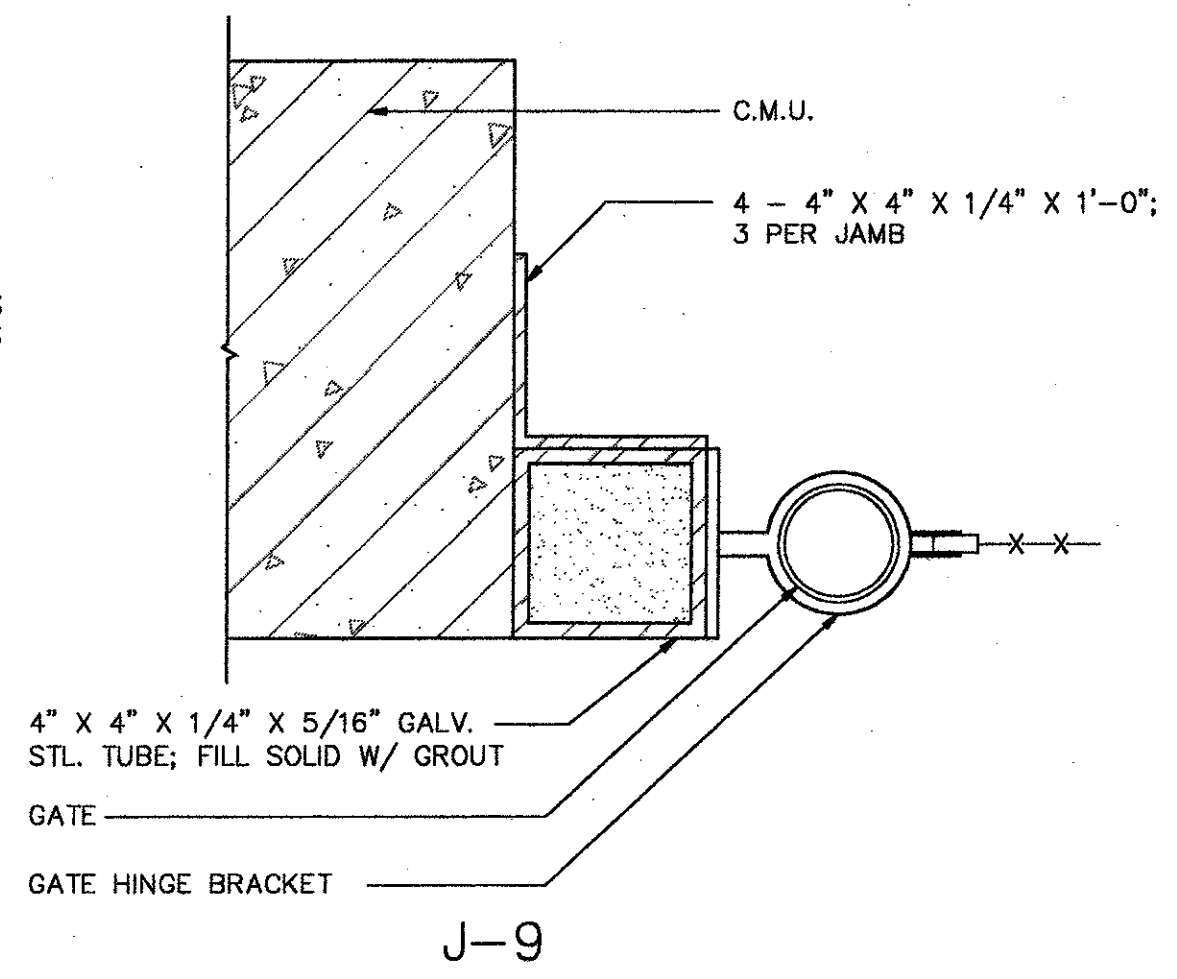
J-3



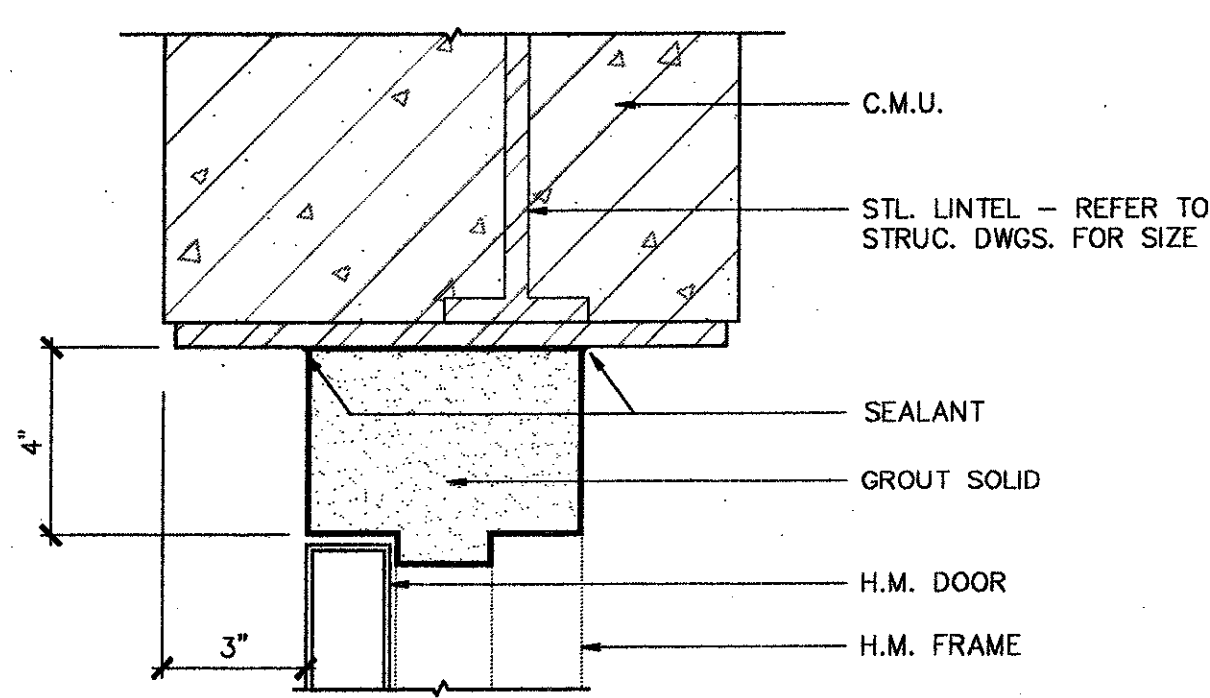
J-6



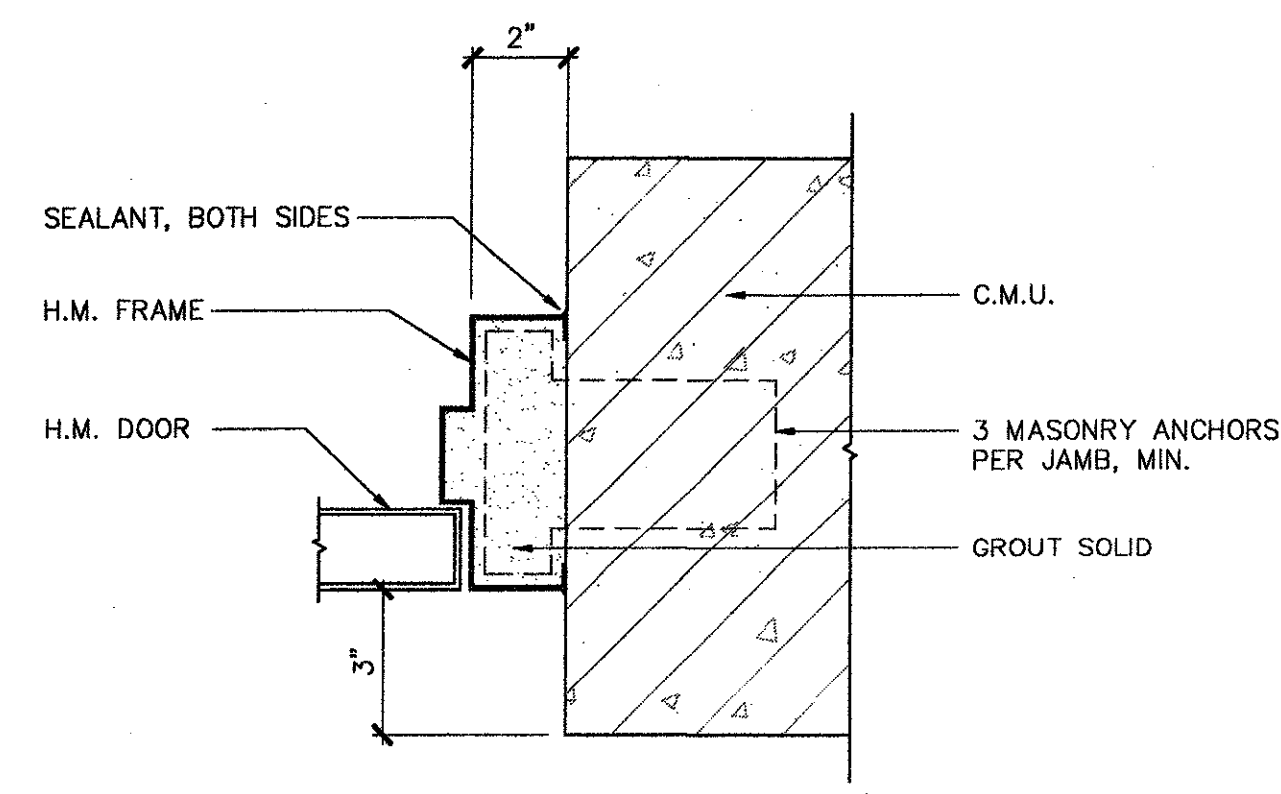
J-8



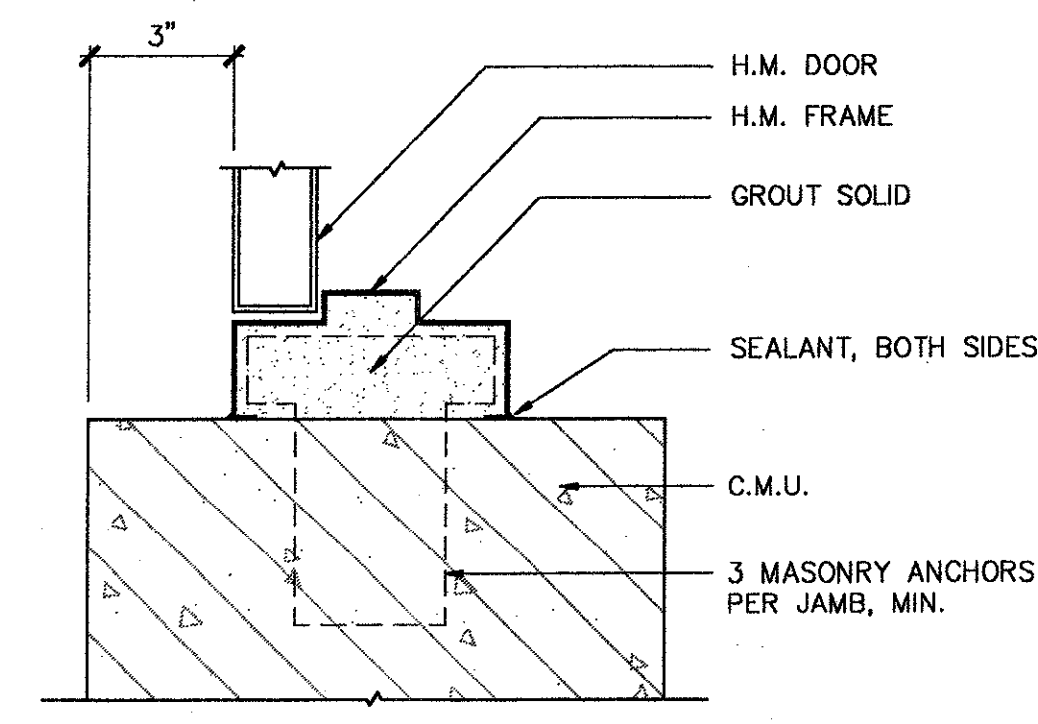
J-9



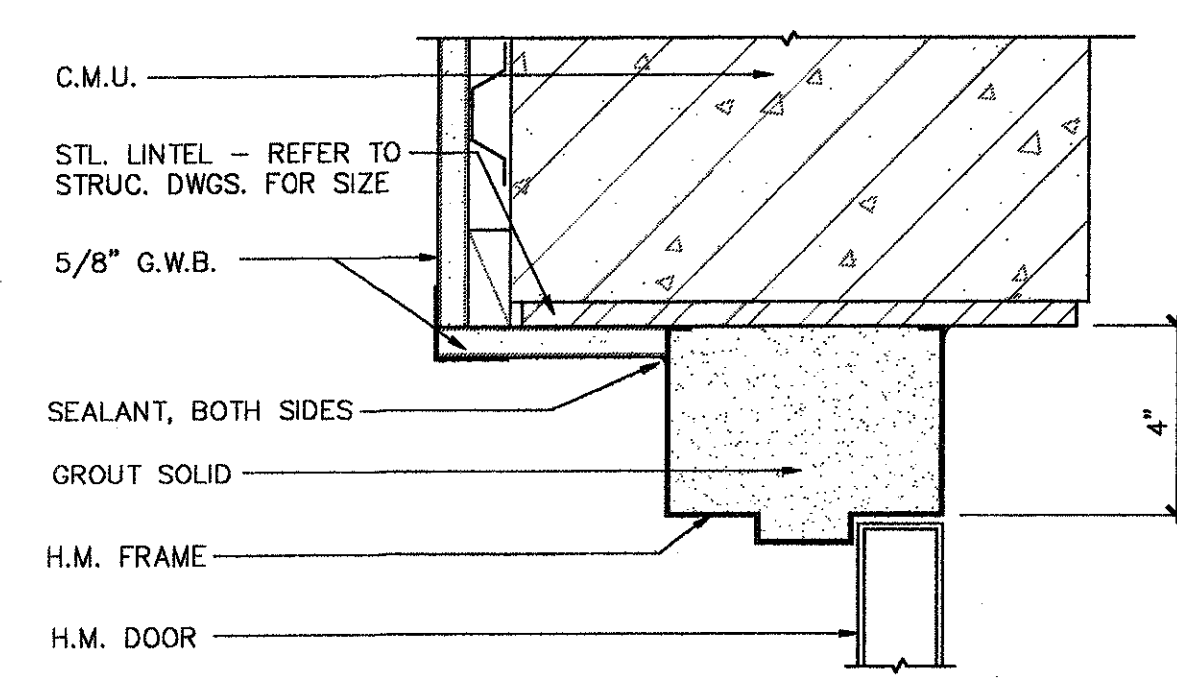
H-3



J-4



J-5

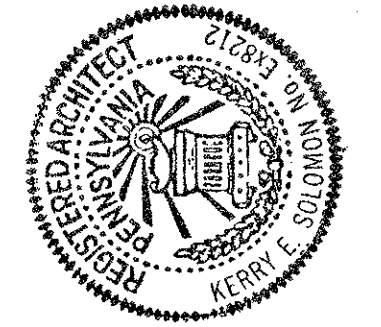


H-5

HEAD/JAMB DETAILS
3" = 1'-0"

| REVISIONS | BY |
|-----------|-----|
| 9-20-99 | RAK |
| | |
| | |
| | |
| | |
| | |
| | |

KERRY E. SOLOMON ARCHITECTS, INC.
624 ROCK SPRINGS ROAD
PITTSBURGH, PENNSYLVANIA 15228
(412) 563-7656 FAX (412) 563-0786



PROPOSED CINEMA COMPLEX
FOR
KLM THEATRE PARTNERS, L.P. D.B.A.
STAR CITY
ROUTE 50 SOUTH FAYETTE, PA

| |
|-------------------|
| DRAWN RAK |
| CHECKED KES |
| DATE 8-30-99 |
| SCALE AS NOTED |
| JOB NO. 9929 |
| SHEET |
| A9.1 |
| OF SHEETS |